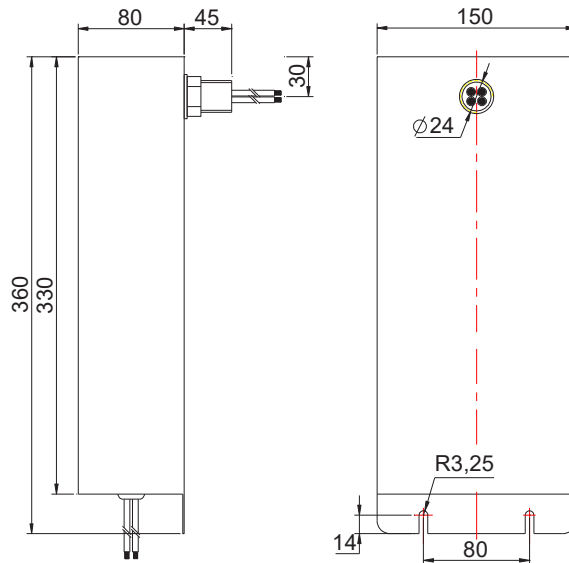




SIGNAL LINE FILTER 8090-10-1-20KHZ INSTALLATION MANUAL

Type
8090-10-1-20kHz

Dimensions



Technical data
Rated Voltage: 250VAC/250VDC
Pass band: 0-20KHz
Rated Current: 5-2x1A

Assembly parts
M24 Conduit Screw: 1pc
Gasket 24: 1pc
M24 Screw Nut: 1pc
EMI Gasket: 1pc

Installation Diagram

